

- In which number is the value of the underlined digit ten times the value of the bold digit?
  - 505
  - 5,00**5**
  - 5,**5**00
  - 50,**5**00
- A bakery uses 48 pounds of flour each day. It is open for business 28 days each month. How many pounds of flour does the bakery use each month?
  - 1,500 pounds
  - 1,344 pounds
  - 800 pounds
  - 76 pounds
- Cameron collected 3 times as many canned goods as Diego. Diego collected 47 canned goods. How many canned goods did Cameron collect?
  - 50 canned goods
  - 121 canned goods
  - 141 canned goods
  - 150 canned goods

- Which lists multiples of 8?
  - 8, 16, 24, 46
  - 8, 16, 24, 48
  - 8, 15, 32, 50
  - 8, 16, 40, 63
- Gail ran  $4\frac{6}{10}$  miles on Saturday and  $6\frac{8}{10}$  miles on Sunday. How many miles did Gail run over the weekend?
  - 11 miles
  - $10\frac{14}{10}$  miles
  - $11\frac{4}{10}$  miles
  - $14\frac{2}{10}$  miles
- The weights of babies born at a hospital in November are shown in a line plot. How many more babies weighed  $8\frac{1}{2}$  pounds than  $6\frac{1}{4}$  pounds?
 

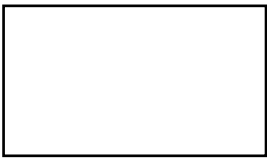
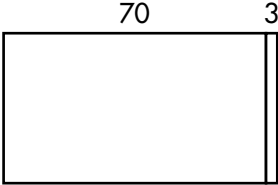
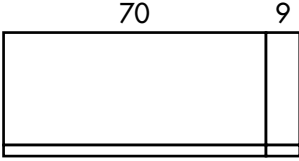
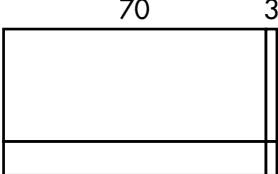
**Newborn Weights**

- 1 baby
- 2 babies
- 3 babies
- 4 babies

7. Round 43,628 to the thousands place.

- (A) 40,000                      (C) 43,600  
 (B) 43,000                      (D) 44,000

8. Which area model can you use to find  $39 \times 73$ ?

- (A) 
- (B) 
- (C) 
- (D) 

9. Use an estimate to decide if the answer is reasonable. If the answer is not reasonable, find the actual quotient.

$$\begin{array}{r} 621 \text{ R2} \\ 9 \overline{)7,341} \end{array}$$

- (A) The answer is reasonable.  
 (B) No; 815 R6  
 (C) No; 815 R5  
 (D) No; 815 R4

10. Which comparison is correct?

- (A)  $\frac{2}{10} > \frac{3}{5}$   
 (B)  $\frac{2}{4} > \frac{4}{8}$   
 (C)  $\frac{2}{3} < \frac{10}{12}$   
 (D)  $\frac{9}{12} < \frac{3}{6}$

11. Which decimal makes the comparison true?

$$7.68 > \underline{\hspace{2cm}}$$

- (A) 8.81  
 (B) 8.68  
 (C) 7.86  
 (D) 7.56

12. Which of the following letters is **NOT** line symmetric?

- (A) A  
 (B) E  
 (C) G  
 (D) Y

- 13.** Find the sum.  
 $8,852 + 4,113$
- (A) 11,956
  - (B) 12,865
  - (C) 12,965
  - (D) 13,065
- 14.** Brandy made 7 batches of cookies. Each batch contained 12 cookies. She put the same number of cookies in each of 5 bags. How many cookies were not put in bags?
- (A) 16 cookies
  - (B) 12 cookies
  - (C) 4 cookies
  - (D) 2 cookies
- 15.** Ellen is making jewelry sets that contain a bracelet and a pair of earrings. Each bracelet uses 3 times as many beads as one earring. Ellen uses 13 beads for each earring. How many beads does Ellen need to make one jewelry set?
- (A) 13 beads
  - (B) 39 beads
  - (C) 52 beads
  - (D) 65 beads
- 16.** Inez and Joel work at a store that sells cell phones. Inez worked for 7 hours and 23 minutes. Joel worked for 4 hours and 51 minutes. How much longer did Inez work than Joel?
- (A) 2 hours 32 minutes
  - (B) 12 hours 14 minutes
  - (C) 3 hours 28 minutes
  - (D) 3 hours 32 minutes
- 17.** Which is the same length as 4 kilometers?
- (A) 4,000 meters
  - (B) 4,000 centimeters
  - (C) 4,000 millimeters
  - (D) 40,000 millimeters
- 18.** The following are rules for repeating patterns. For which rule will the 12<sup>th</sup> shape be a circle?
- (A) Triangle, Circle, Square
  - (B) Circle, Square
  - (C) Rectangle, Circle
  - (D) Circle, Circle, Triangle

19. Subtract.

$$50,032 - 17,956$$

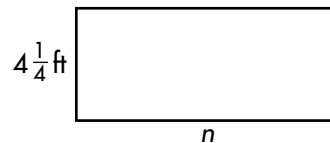
- (A) 47,924  
(B) 42,976  
(C) 32,136  
(D) 32,076
20. Nick cut a circular cookie into 5 equal slices. What is the angle measure of each slice?
- (A)  $36^\circ$   
(B)  $72^\circ$   
(C)  $108^\circ$   
(D)  $144^\circ$
21. Franco made a dozen muffins for his party. Upon taking them out of the oven, he noticed that 2 of the muffins were badly burned. Franco served  $\frac{7}{10}$  of the remaining muffins. Which equation shows the fraction of the non-burned muffins that remains?

- (A)  $\frac{12}{12} - \frac{7}{12} = \frac{5}{12}$   
(B)  $\frac{10}{10} - \frac{7}{10} = \frac{3}{10}$   
(C)  $\frac{12}{12} - \frac{5}{12} = \frac{7}{12}$   
(D)  $\frac{10}{10} - \frac{3}{10} = \frac{7}{10}$

22. Which expression does **NOT** equal  $\frac{10}{12}$ ?

- (A)  $\frac{5}{12} + \frac{5}{12}$   
(B)  $\frac{3}{12} + \frac{2}{12} + \frac{2}{12} + \frac{2}{12} + \frac{1}{12}$   
(C)  $\frac{4}{12} + \frac{3}{12} + \frac{2}{12} + \frac{1}{12}$   
(D)  $\frac{5}{12} + \frac{4}{12} + \frac{3}{12} + \frac{2}{12} + \frac{1}{12}$

23. The perimeter of the rectangle shown below is 23 feet. What is the missing side length?



- (A) 14 feet  
(B)  $7\frac{2}{4}$  feet  
(C)  $7\frac{1}{4}$  feet  
(D) 7 feet
24. Mandy used the rule "Add 6" to make a pattern. She started with 20 and wrote the next 5 numbers in her pattern. Which number does **NOT** belong in Mandy's pattern?
- (A) 26  
(B) 32  
(C) 38  
(D) 43

25. The sky ride at an amusement park spans 2,715 feet. Over the course of the day, Anna rode the sky ride 7 times. How many feet did she ride?

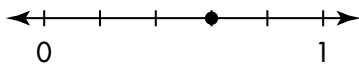
- (A) 14,025 feet
- (B) 15,500 feet
- (C) 19,005 feet
- (D) 21,000 feet

26. Find the quotient.

$$463 \div 6$$

- (A) 72
- (B) 77
- (C) 77 R1
- (D) 707 R1

27. Which fraction is **NOT** equivalent to the point shown on the number line?



- (A)  $\frac{3}{5}$
- (B)  $\frac{6}{10}$
- (C)  $\frac{60}{100}$
- (D)  $\frac{10}{12}$

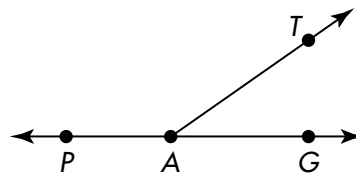
28. Hakim is making birdhouses. Each birdhouse uses  $\frac{7}{8}$  yard of wood. What is the total length of wood Hakim will need to build 5 birdhouses?

- (A)  $4\frac{3}{8}$  yards
- (B)  $5\frac{7}{8}$  yards
- (C)  $1\frac{4}{8}$  yards
- (D)  $9\frac{2}{8}$  yards

29. Liam bought pizza and wings for \$27.58. How much change should Liam receive if he gave the clerk three \$10-bills? Use coins and bills to help solve.

- (A) \$1.52
- (B) \$2.42
- (C) \$2.52
- (D) \$12.42

30. Which geometric term describes  $\angle TAG$ ?



- (A) Acute
- (B) Obtuse
- (C) Right
- (D) Straight

31. Which are the partial products of  $3,706 \times 4$ ?

- (A) 1,200 280 10
- (B) 1,200 280 24
- (C) 12,000 2,800 24
- (D) 12,000 280 24

32. Find the product.

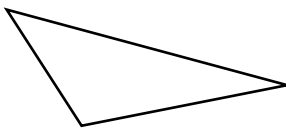
$57 \times 34$

- (A) 399
- (B) 1,238
- (C) 1,921
- (D) 1,938

33. Which lists all the factors of 78?

- (A) 1, 2, 3, 6, 13, 26, 39, 78
- (B) 1, 2, 4, 19, 39, 78
- (C) 1, 2, 6, 13, 39, 78
- (D) 2, 3, 6, 13, 26, 39

34. Classify the triangle by its sides and by its angles.

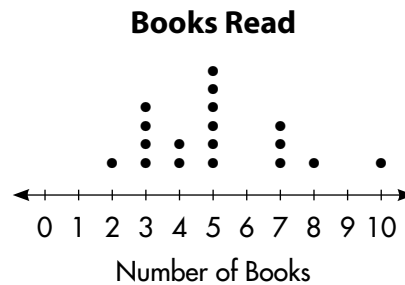


- (A) Isosceles, Obtuse
- (B) Scalene, Obtuse
- (C) Isosceles, Acute
- (D) Scalene, Acute

35. A tree was 17 feet tall when it was planted. It grew 8 times that height in 15 years. How much taller is the tree than when it was planted?

- (A) 119 feet
- (B) 136 feet
- (C) 247 feet
- (D) 255 feet

36. The line plot shows the number of books the students in Mrs. Kellogg's class read last week. How many students read 7 or more books?



- (A) 18 students
- (B) 13 students
- (C) 5 students
- (D) 4 students